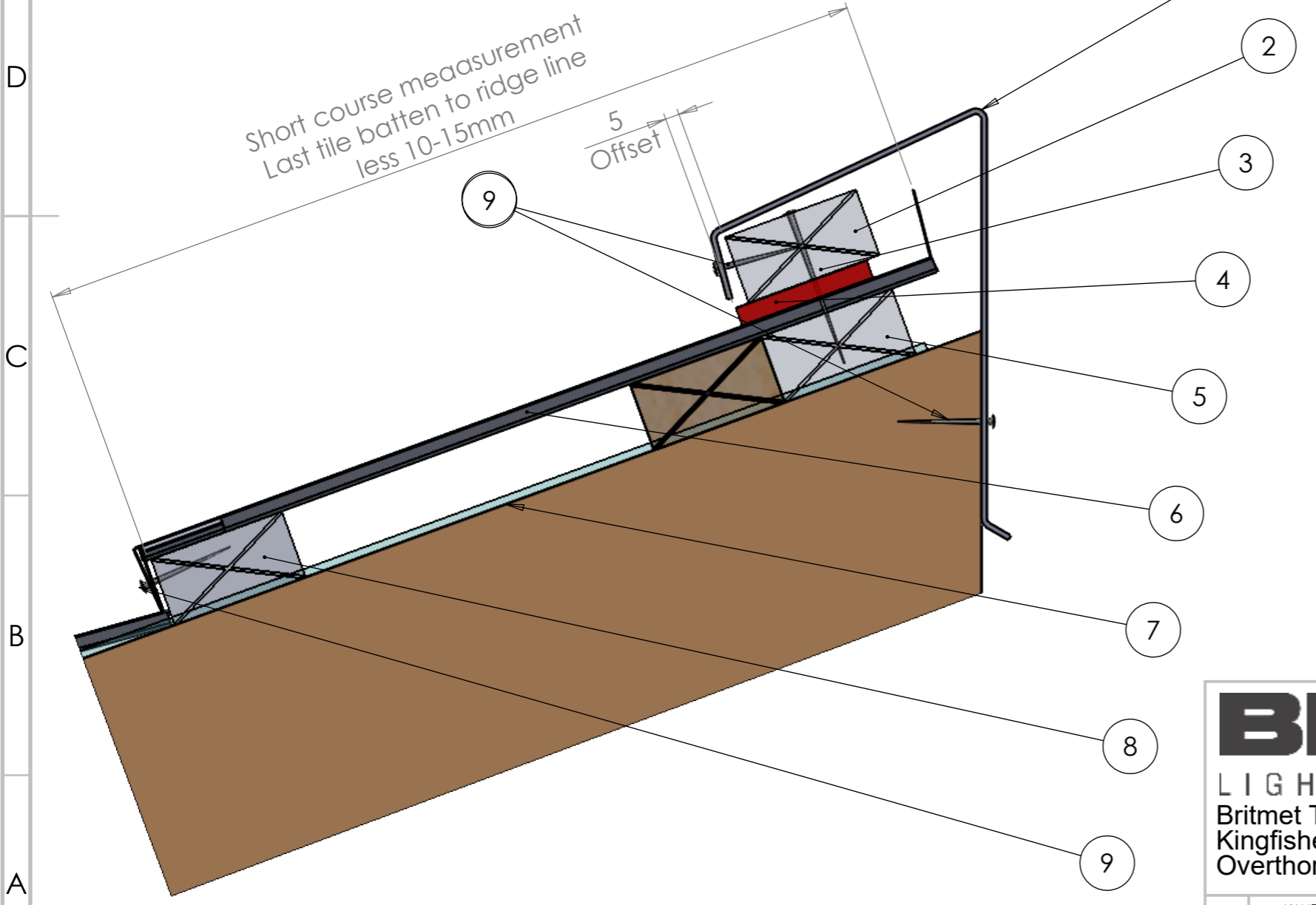
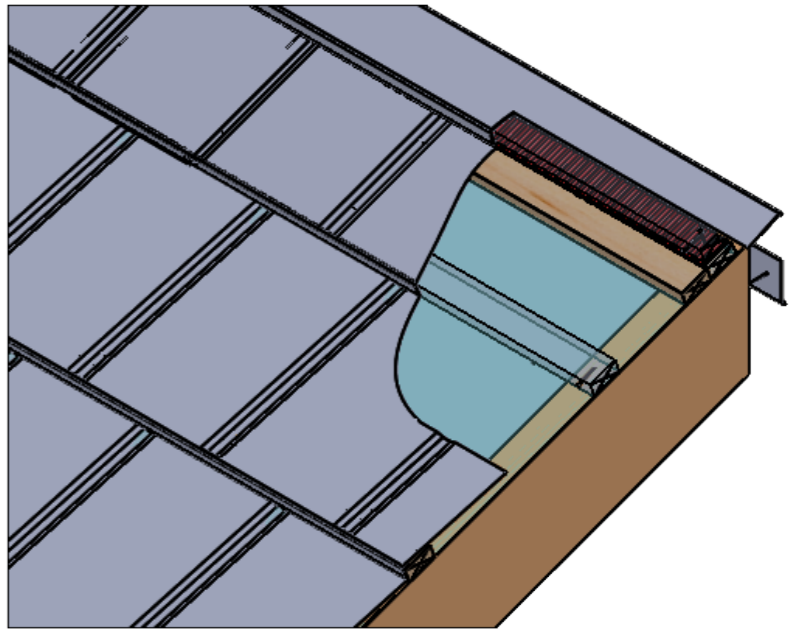


ITEM	DESCRIPTION	DETAIL
1	Mono ridge	
2	Ridge batten	50x25mm
3	Nail	65-75mm
4	Ridge vent strip	50x6mm
5	Double ridge batten	50x25mm
6	Tile panel (Refer note)	Slate 2000 shown
7	Membrane	
8	Tile batten	50x25mm
9	Nail	50x3.35mm



Note:
Short course (25mm upstand)
Use tile panel for 200mm plus
use cover flashing less than
200mm

BRITMET
LIGHTWEIGHT ROOFING
Britmet Tileform Ltd
Kingfisher House, Unit 17
Overthorpe Road, Banbury, OX16 4SX

DO NOT SCALE DRAWING	REVISION
TITLE: Tile panel 0.45 Typ. Ventilated Mono ridge detail.	
DWG NO. P45-MRidge-01-A	A3
SCALE:DNS	SHEET 1 OF 1

NAME	DATE	MATERIAL:
DRAWN		
CHK'D		